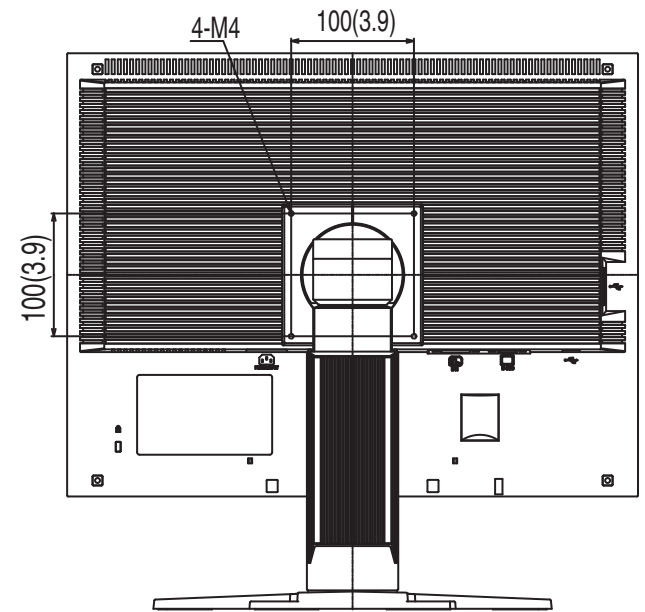
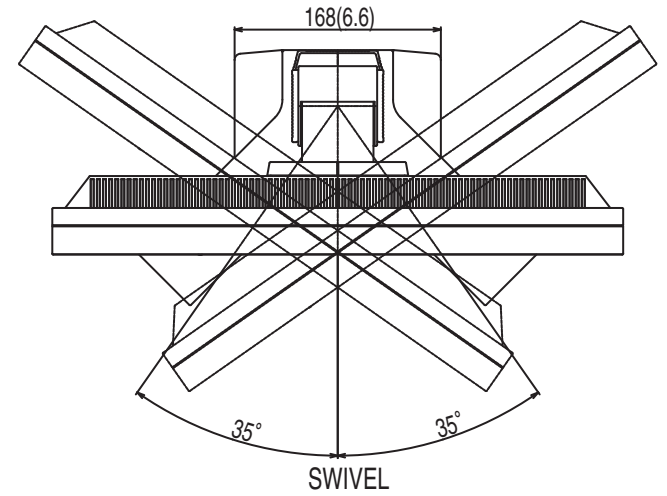
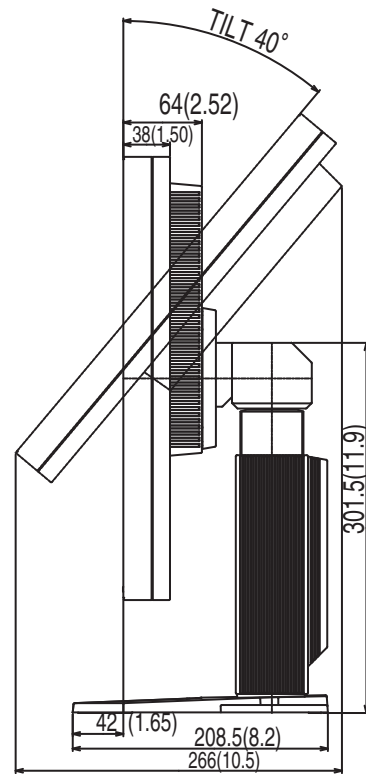
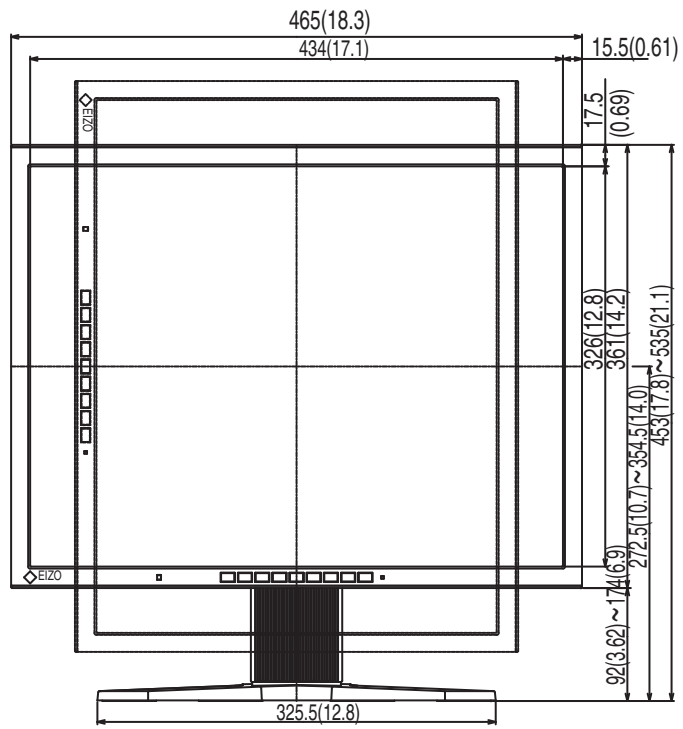


S2100 / S2100-M

Unit : mm (inch)



S2100 / S2100-M

Unit : mm (inch)

