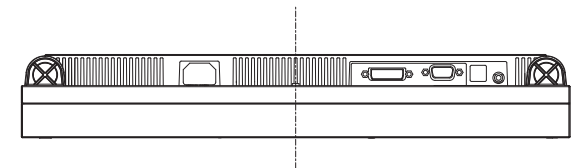
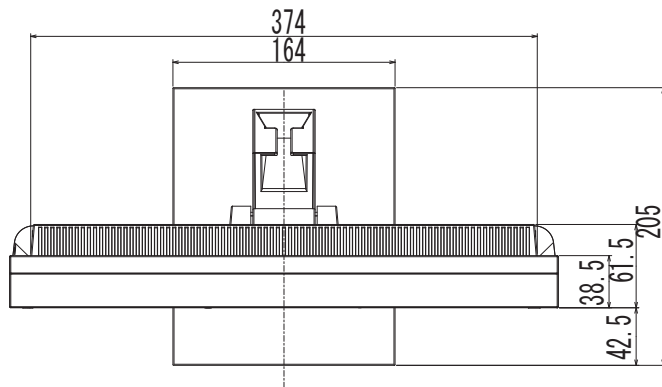


S1933-T

Unit:mm



BOTTOM view

