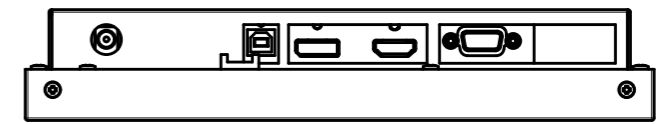
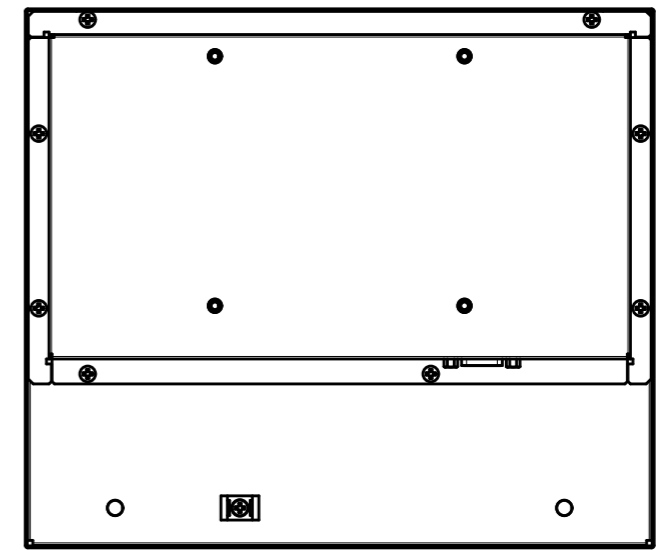
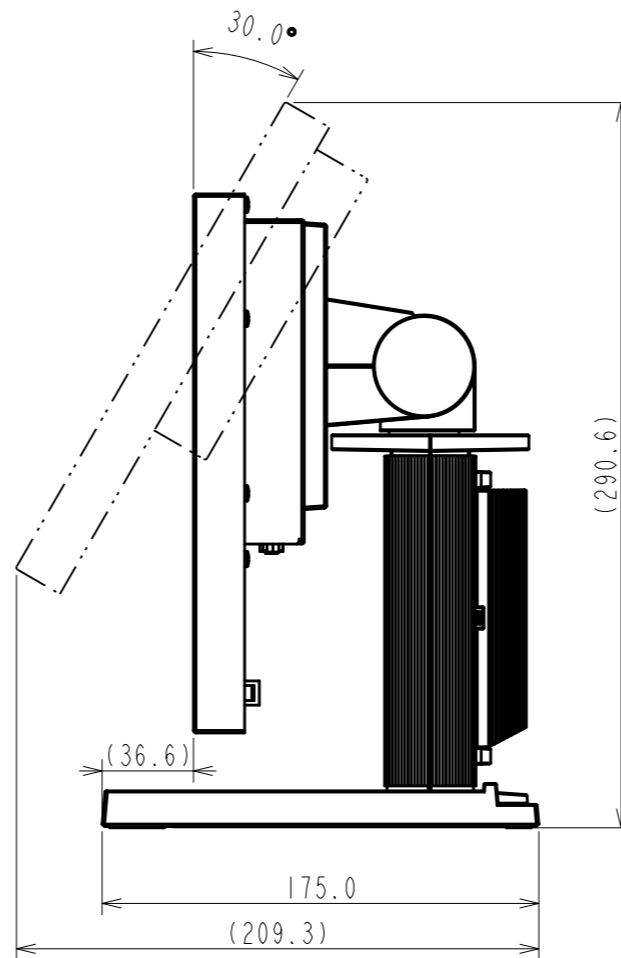
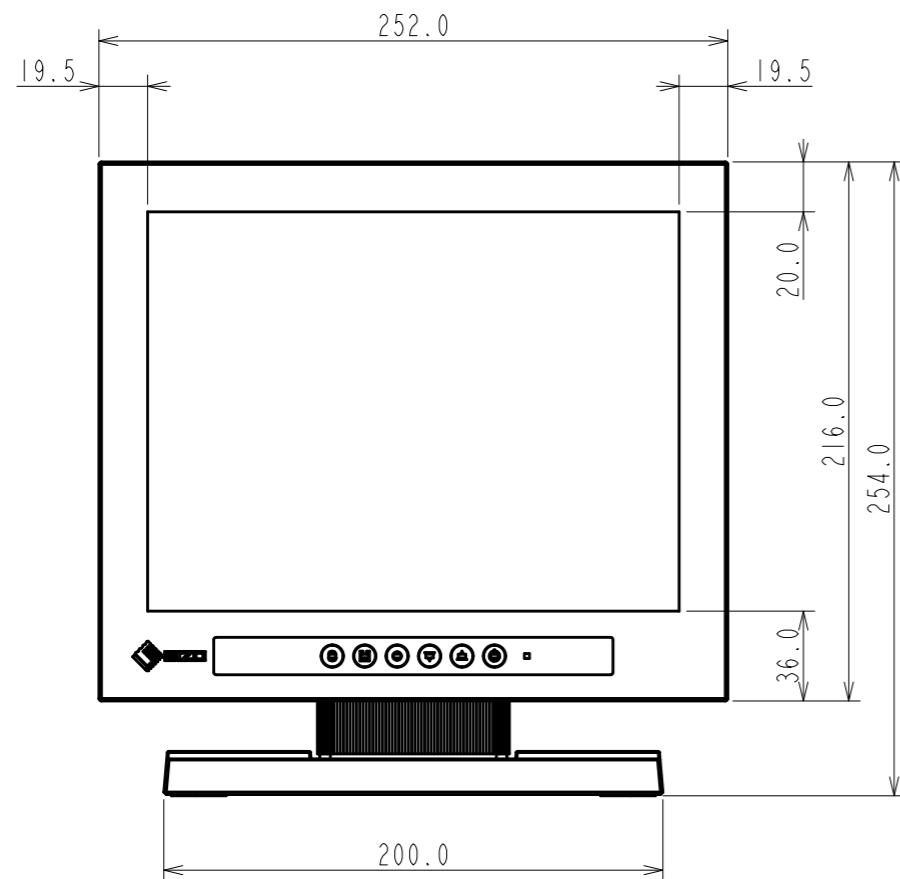
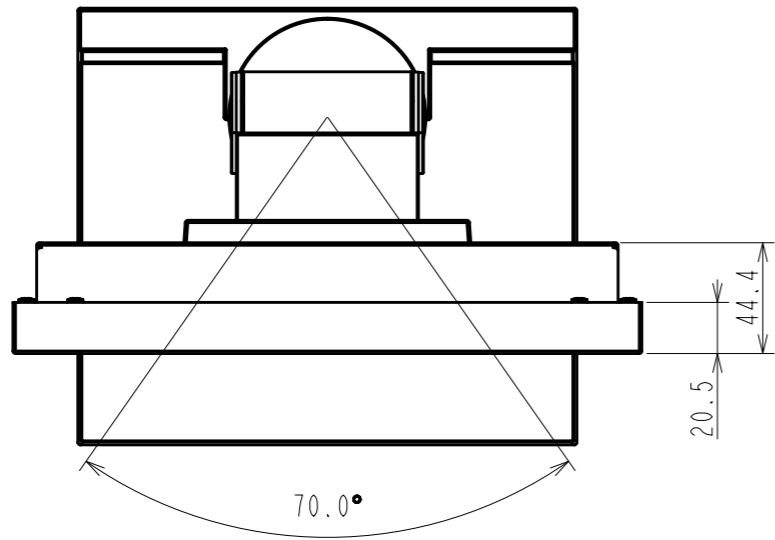


# OUTLINE DIMENSIONS

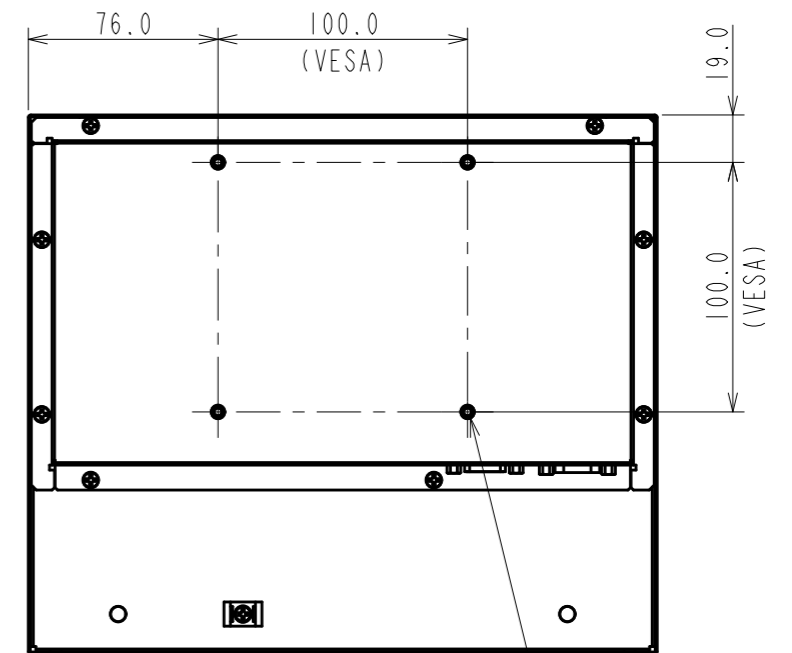
MODEL FDX1004/FDX1004T

UNIT mm

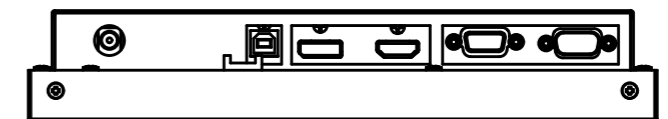
**EIZO Corporation**



FDX1004



4xM4 (Max depth 6.8mm)



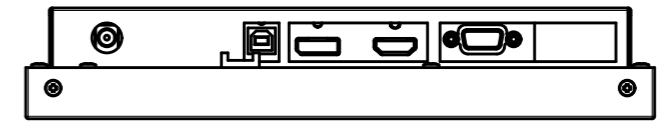
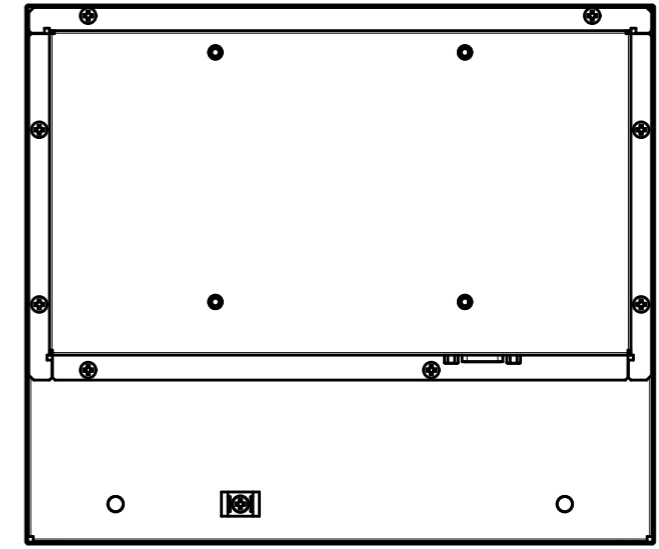
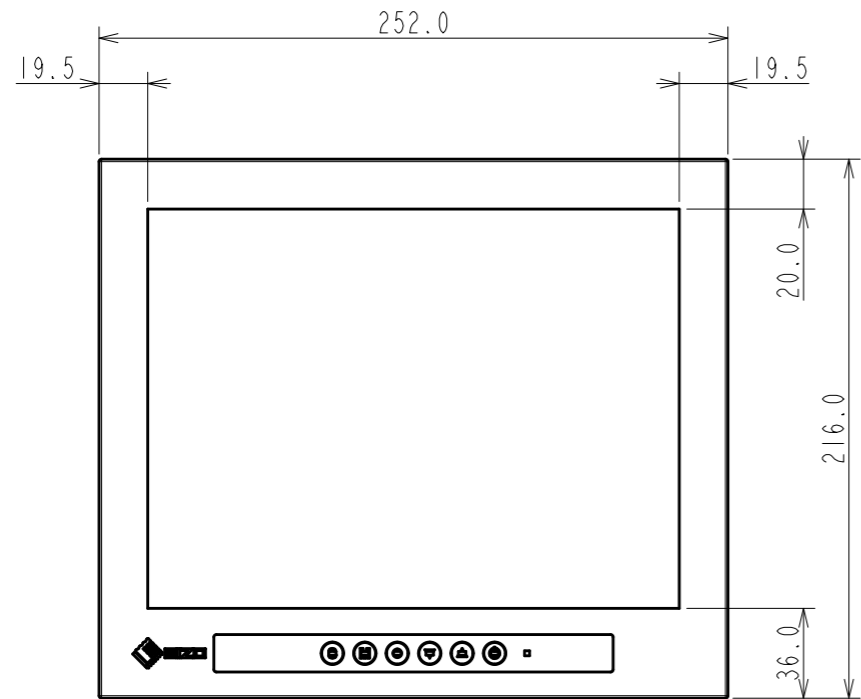
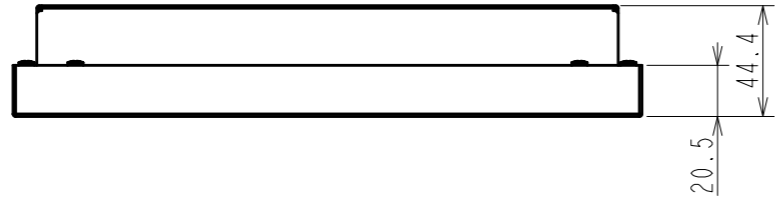
FDX1004T

# OUTLINE DIMENSIONS

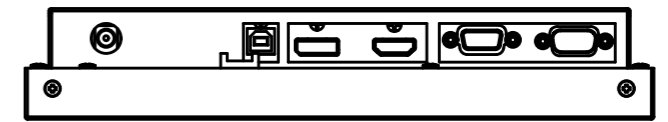
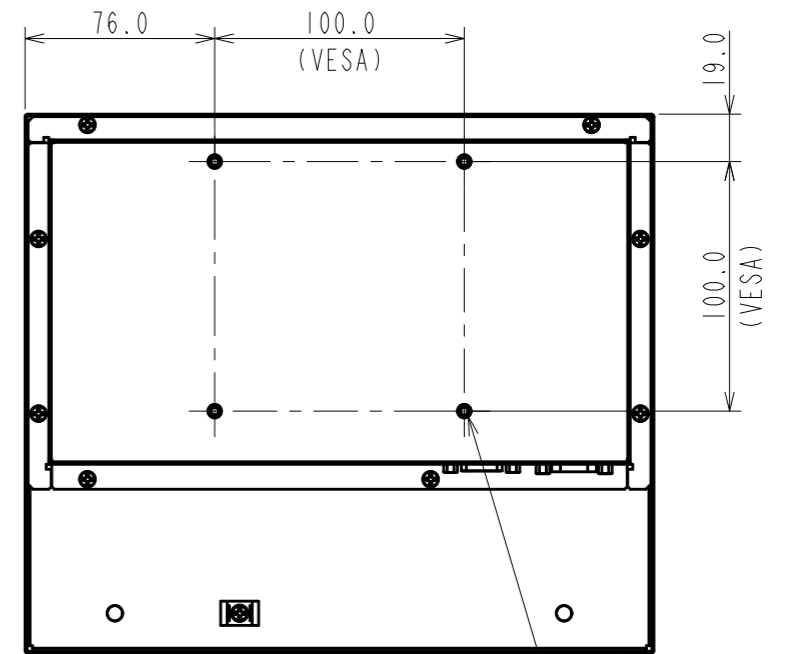
MODEL FDX1004/FDX1004T

UNIT mm

**EIZO Corporation**



FDX1004



FDX1004T