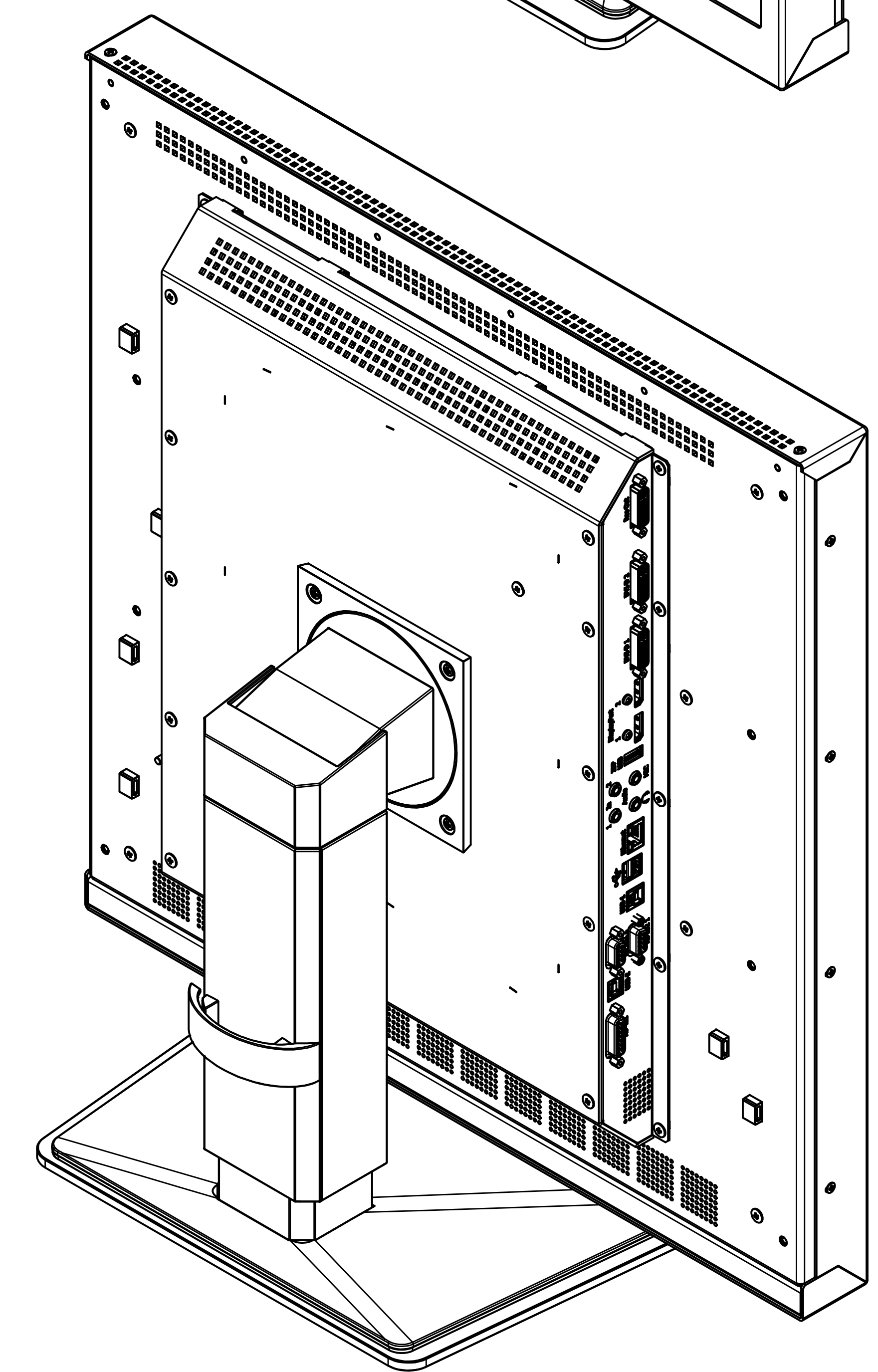
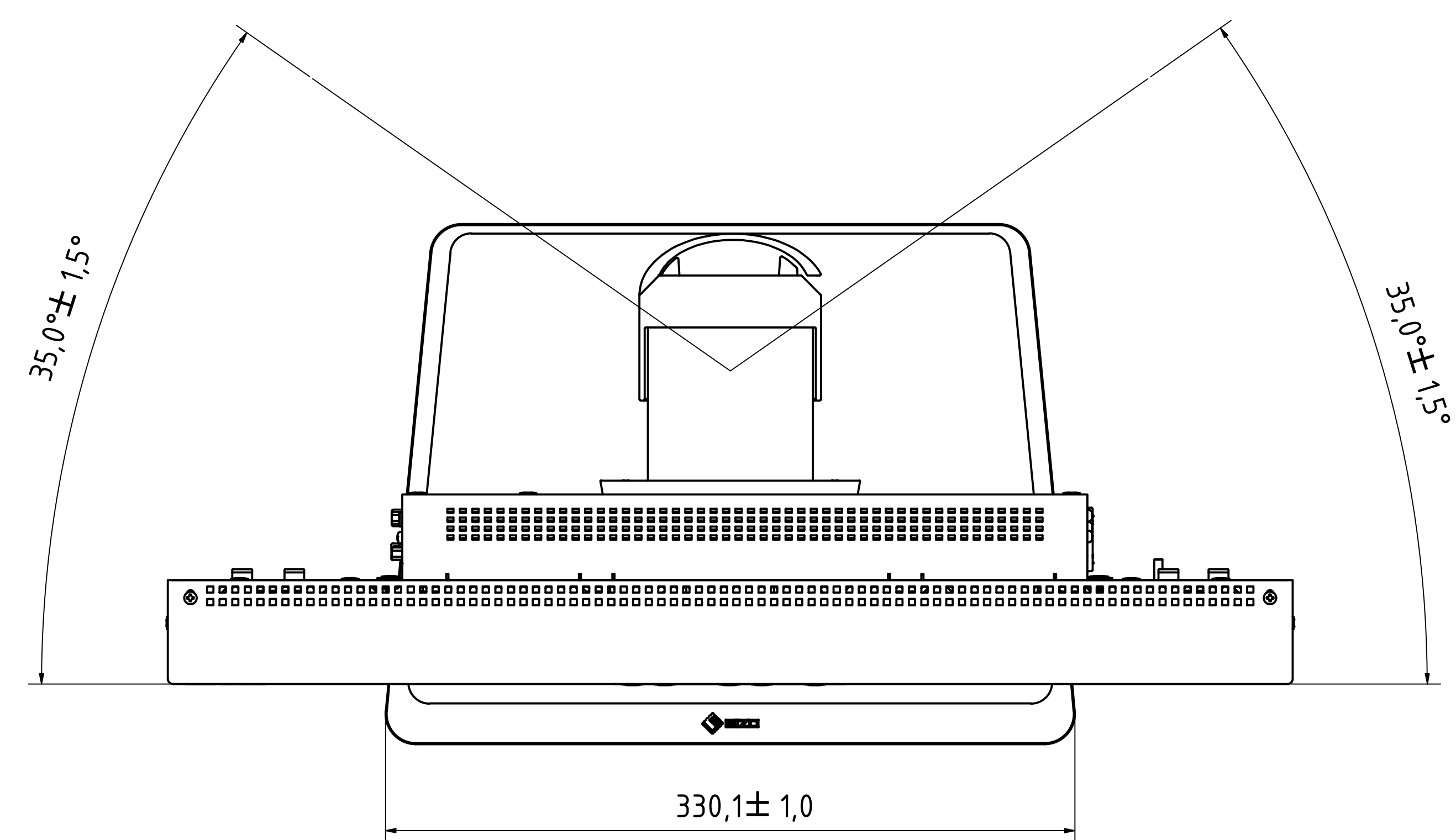
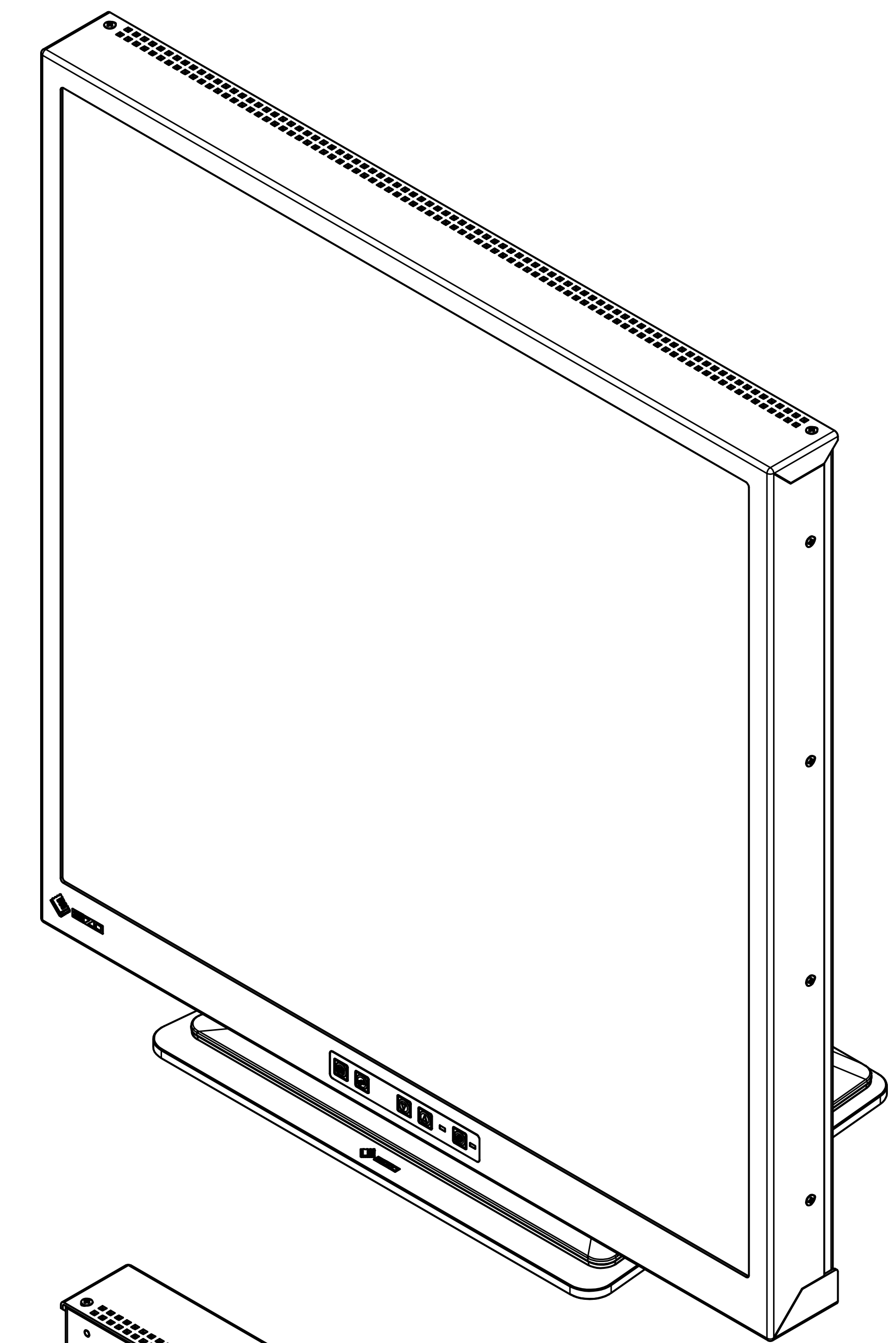
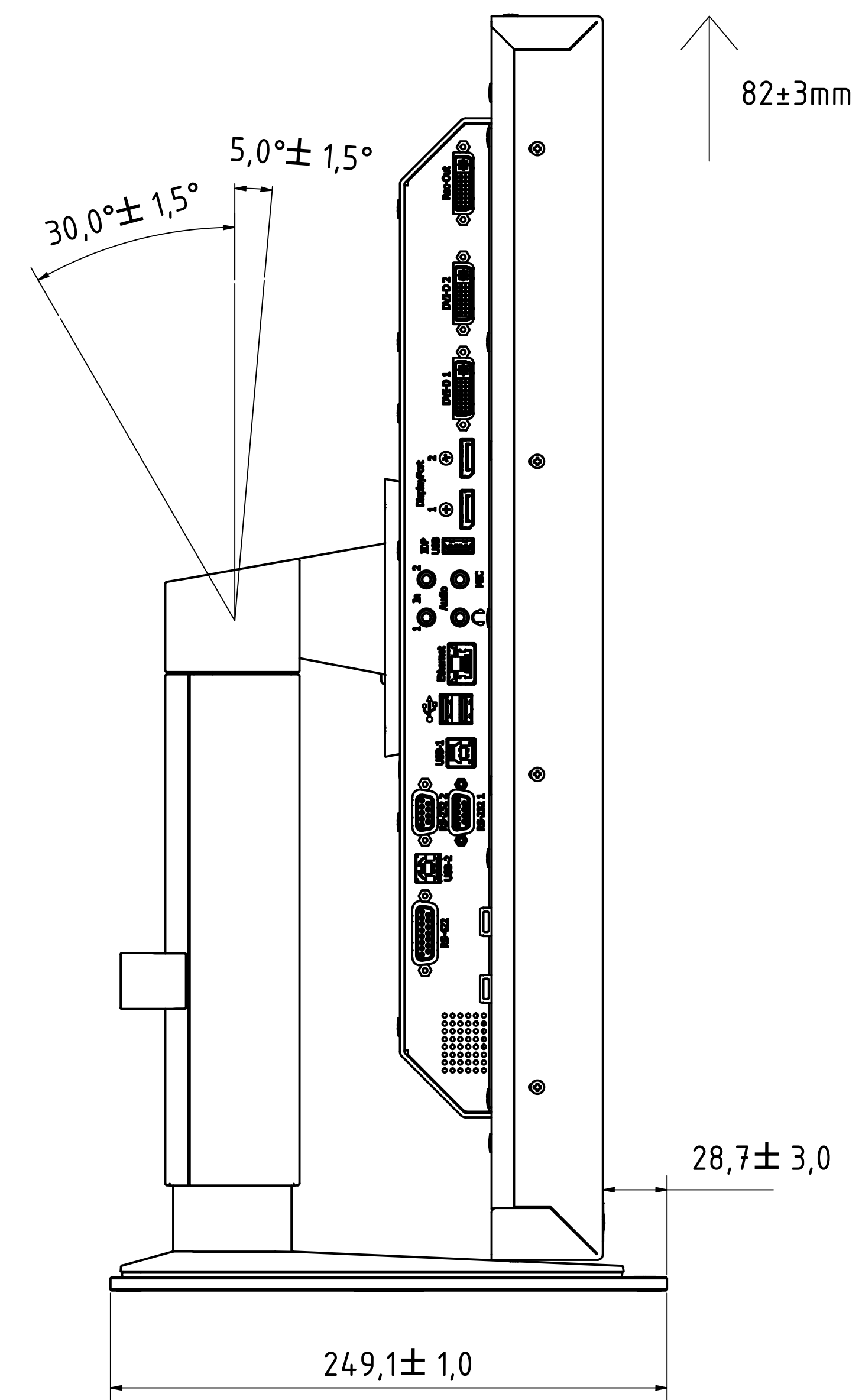
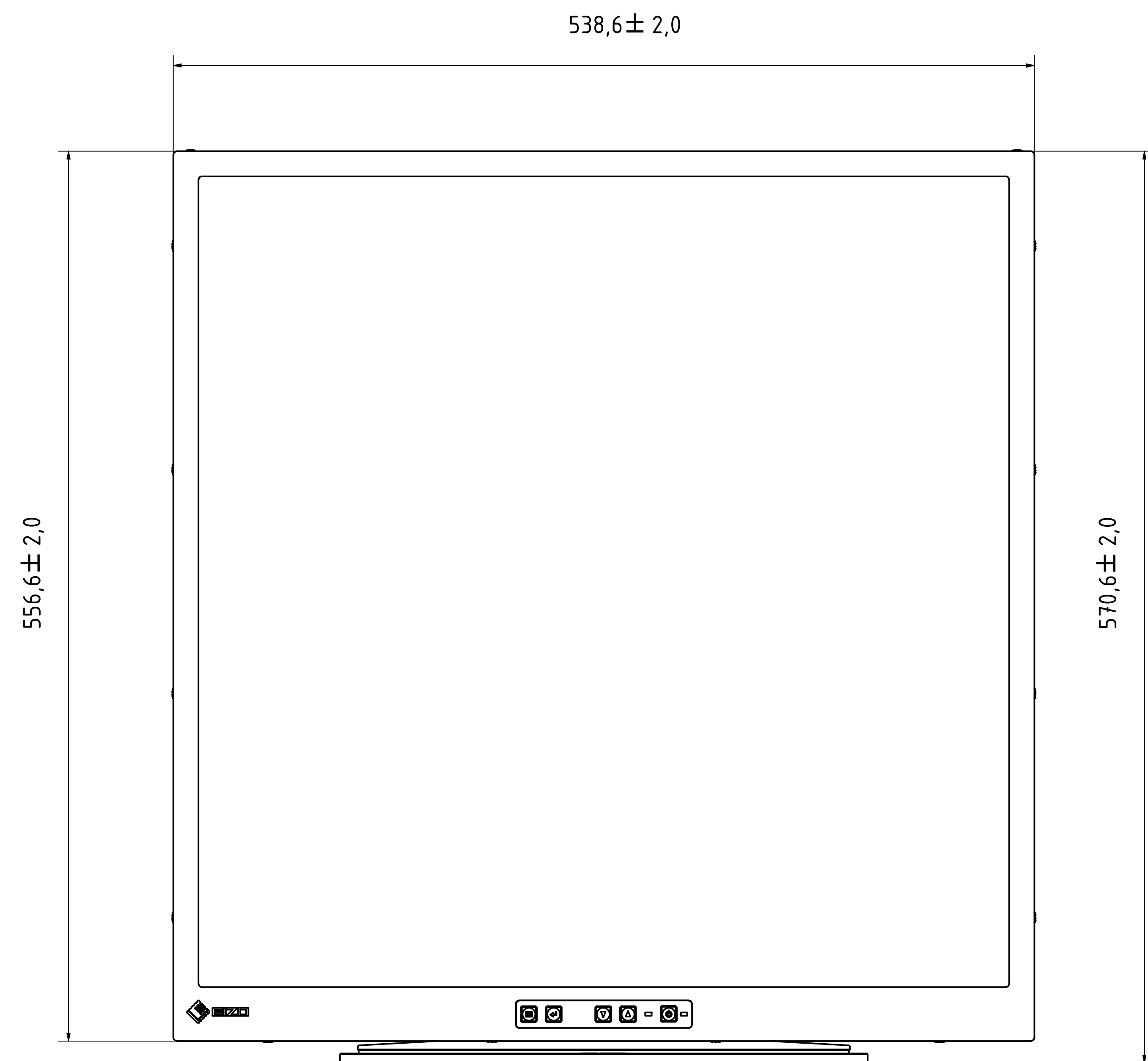


with OSD switch



SQ2826
Unit:mm