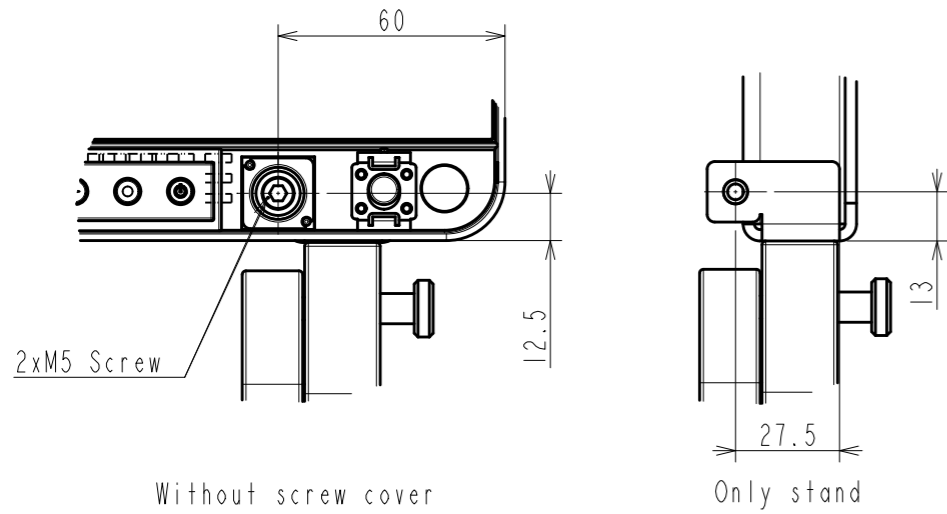


OUTLINE DIMENSIONS

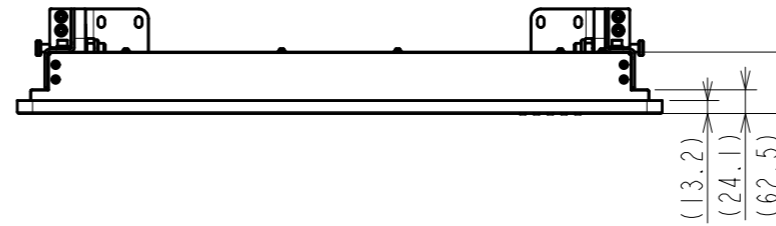
MODEL MDS-T272

UNIT mm

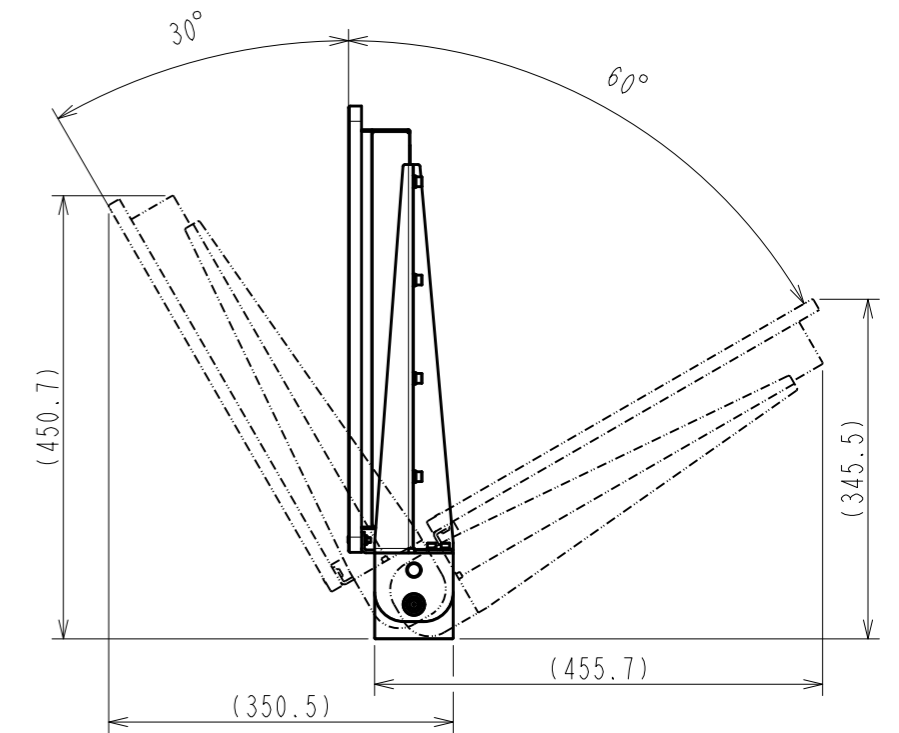
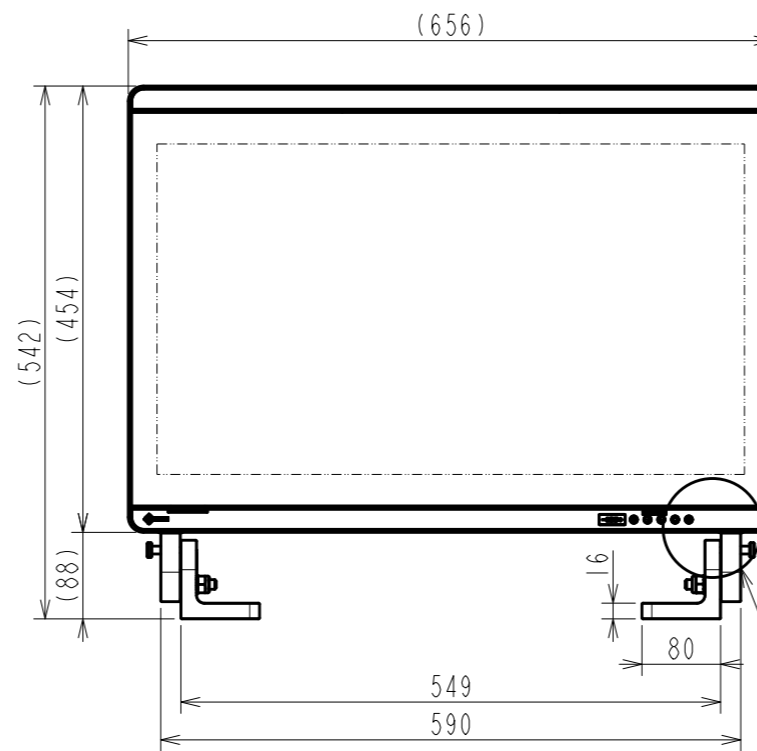
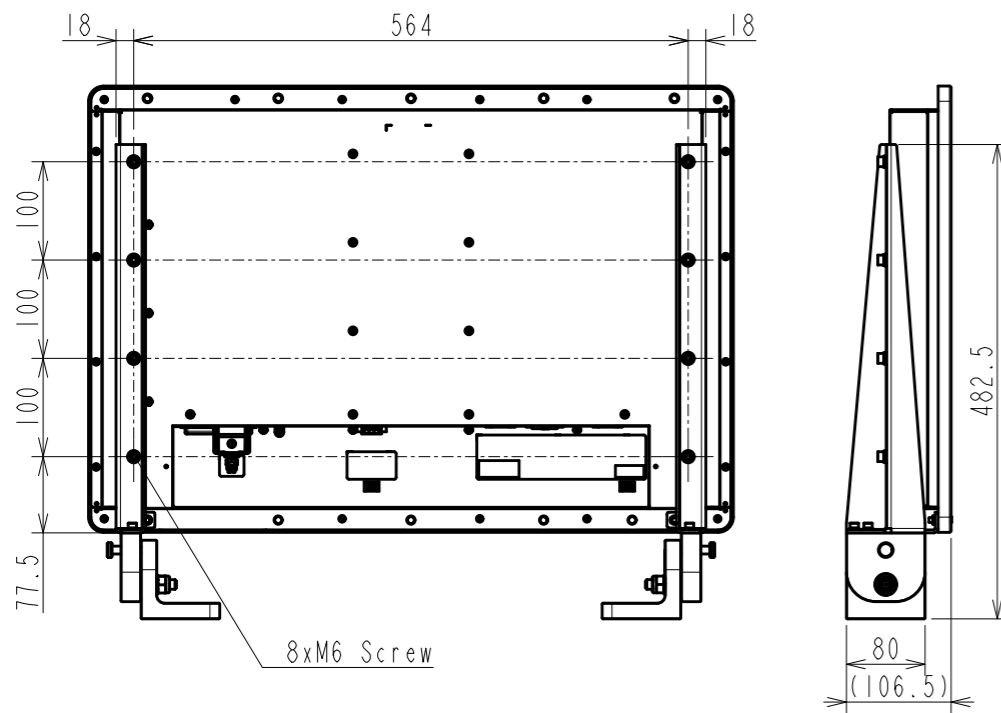
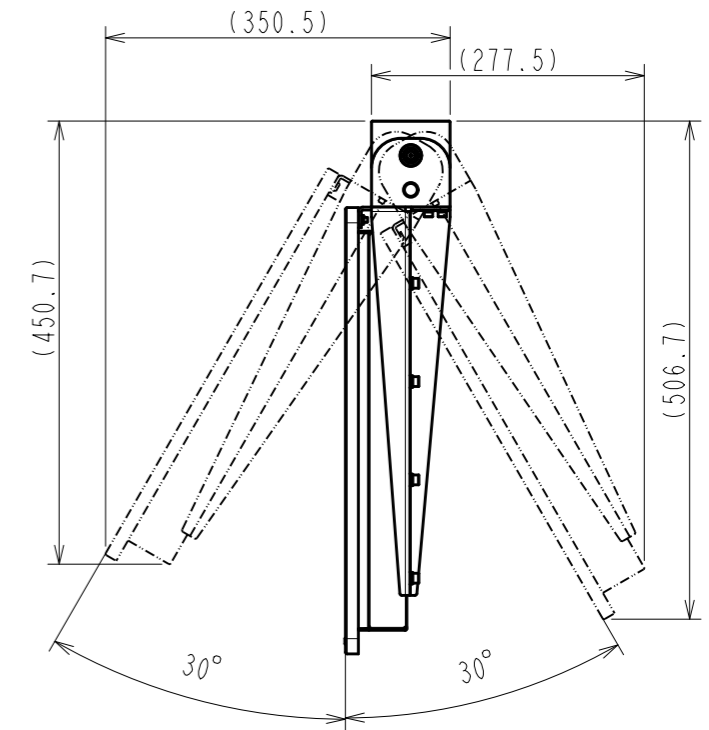
EIZO Corporation



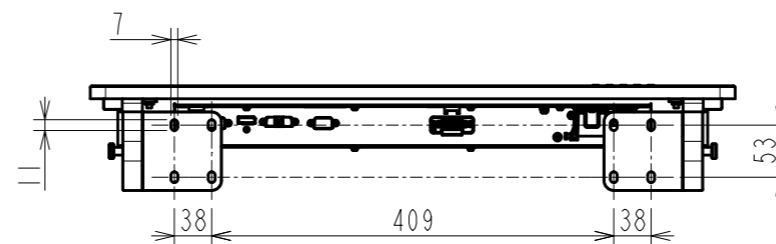
Detailed View A
(Scale 4:1)



Ceiling mounted



Refer to Detailed View A



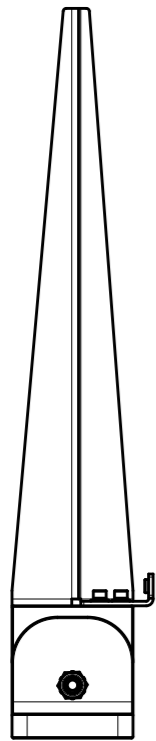
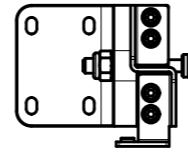
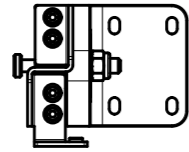
The attachable monitor is also drawn in this drawing.

OUTLINE DIMENSIONS

MODEL MDS-T272

UNIT mm

EIZO Corporation



矢視A

